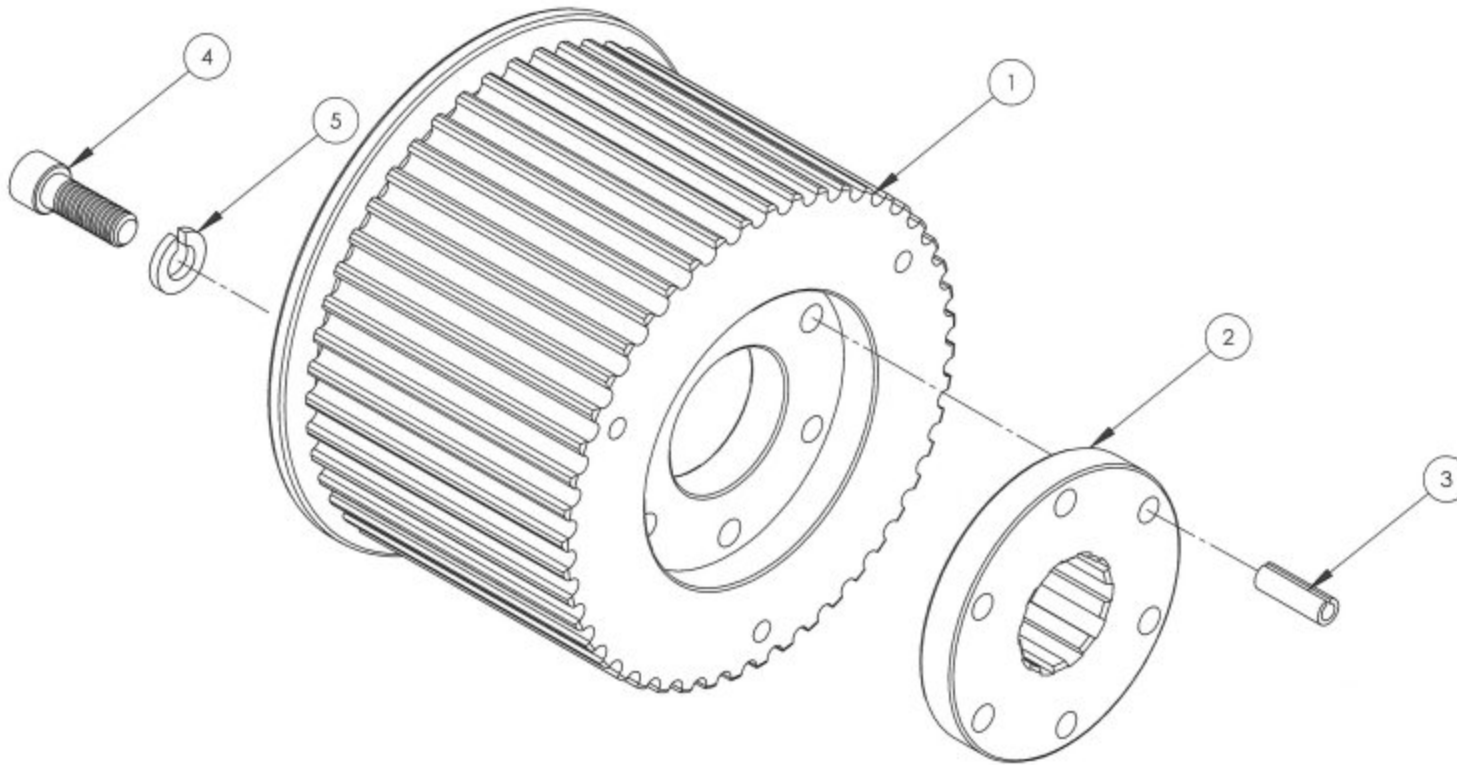


47-OFP



1. 3" Front Pulley 47-OFP
2. Insert IN-STD (Standard) Any BDL Offset Insert Can Be Used
Available in 1/4 increments up to 2"
3. 1/4" X 3/4" long Roll Pin (set of 3)
4. 5/16-18 X 7/8" Sockethead Cap Screw (set of 3)
5. 5/16 Lock washer (set of 3)