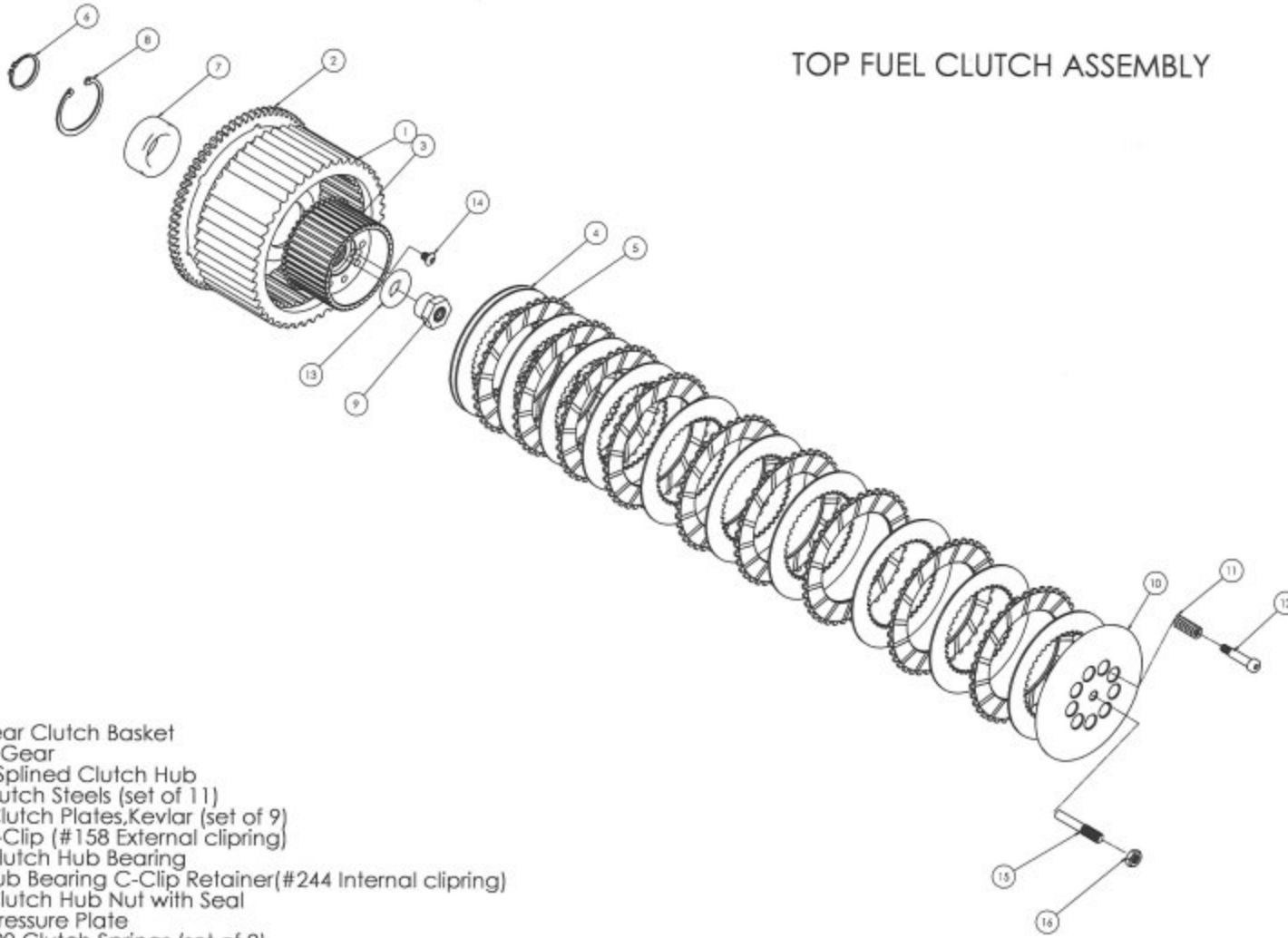


TOP FUEL CLUTCH ASSEMBLY



1. TFRP-46 Rear Clutch Basket
2. SG-2 Ring Gear
3. TFCH-180 Splined Clutch Hub
4. TFSS-CS Clutch Steels (set of 11)
5. TFSS-CP Clutch Plates, Kevlar (set of 9)
6. CC-158 C-Clip (#158 External cliping)
7. EHB-100 Clutch Hub Bearing
8. CC-244 Hub Bearing C-Clip Retainer(#244 Internal cliping)
9. HNS-100 Clutch Hub Nut with Seal
10. TFSS-PP Pressure Plate
11. CDCS -100 Clutch Springs (set of 9)
12. CDSB-100 Shoulder Bolts (set of 9)
13. ESW-1 Step Washer
14. 5/16-18 x3/8 Button Head (set of 3)
- 15-16 CDAS-100 Clutch Adjustment Screw w Nut